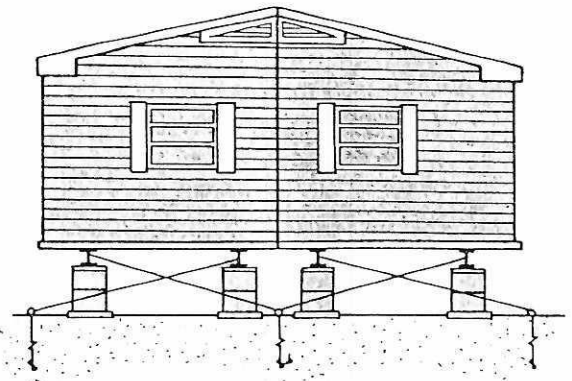
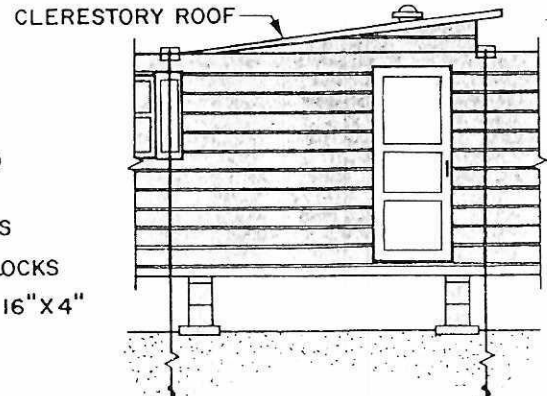
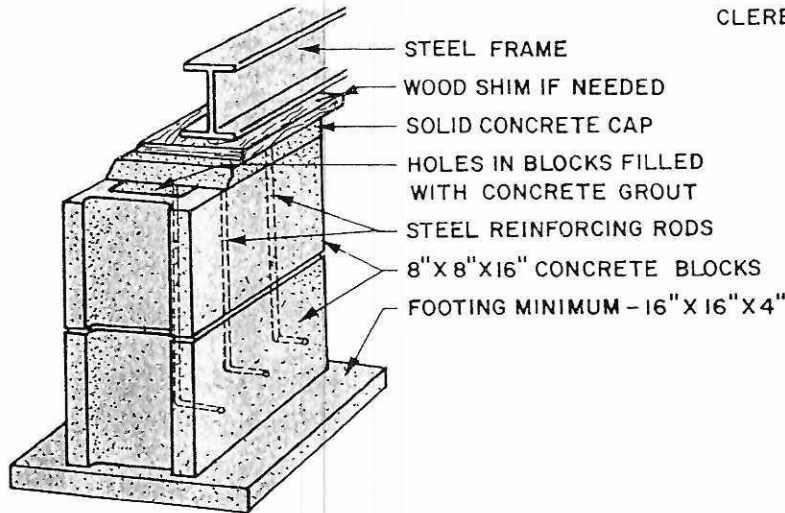


ADDITIONS OR CANOPIES TO BE SECURED WITH OVER-THE-TOP TIEDOWNS.



DOUBLE WIDES DO NOT REQUIRE OVER-THE-TOP TIEDOWNS BUT ARE SUBJECT TO FRAME TIE REQUIREMENTS.



CLERESTORY ROOF REQUIRES OVER-THE-TOP TIES AT EACH END OF THE RAISED PORTION IN ADDITION TO THE OTHER TIES.

TIEDOWN REQUIREMENTS

FIGURE

