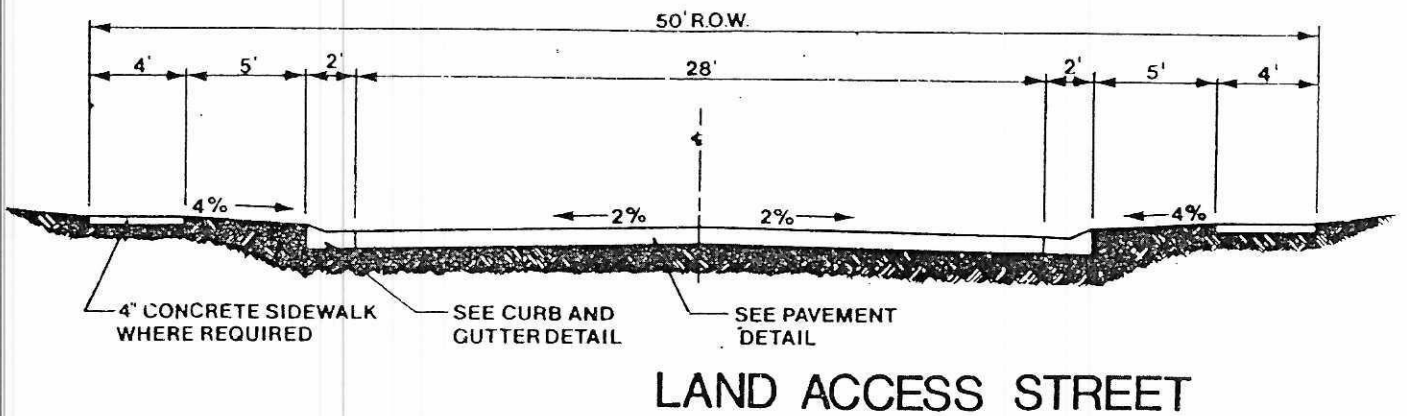
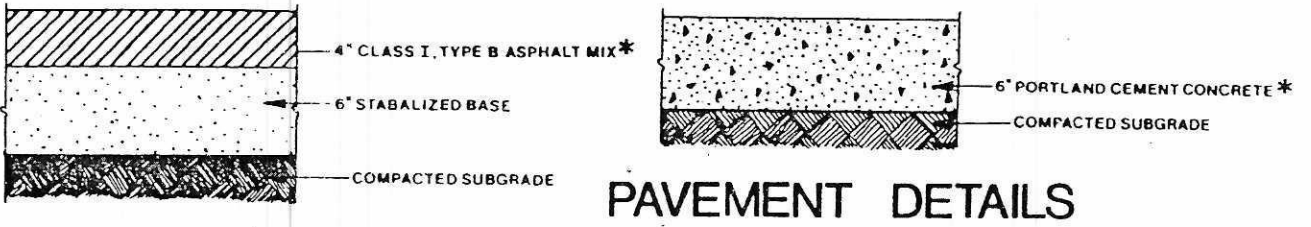
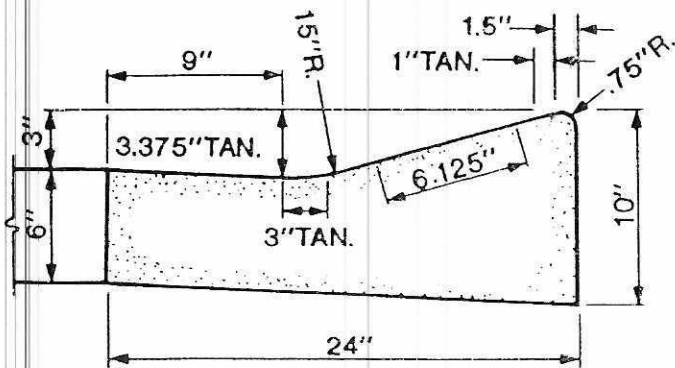


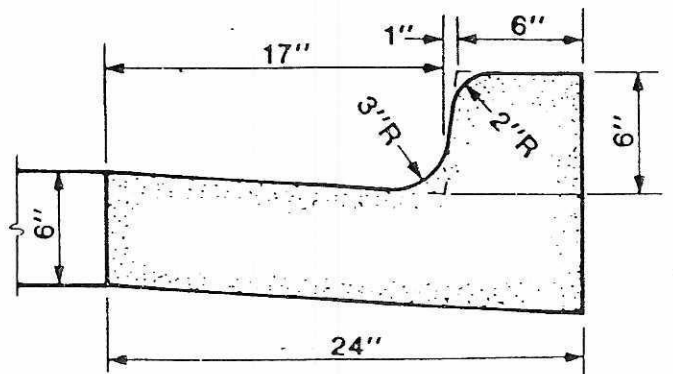
APPENDIX A



TYPICAL STREET CROSS-SECTION



LIP CURB



VERTICAL CURB

CURB and GUTTER